

1 2 3 4 5 6 7 8

A

B

C

D

E

F

G

H

A

B

C

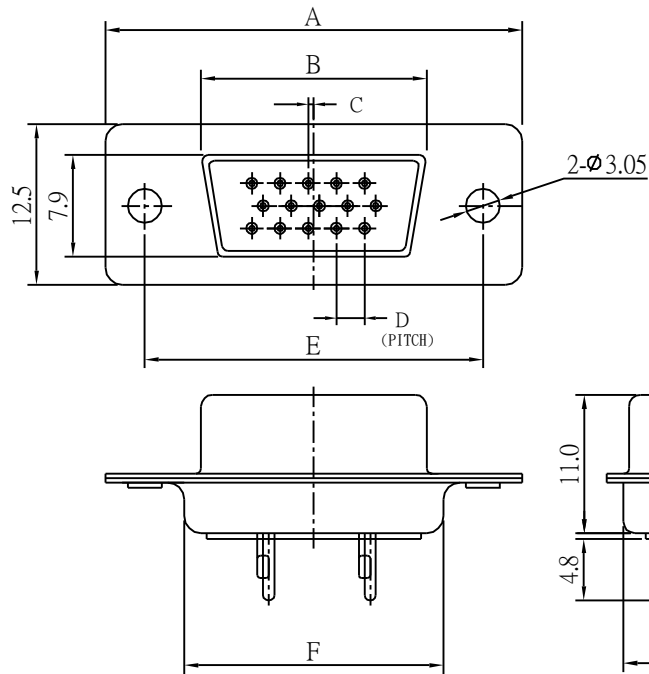
D

E

F

G

H



MATERIAL & FINISH

SHELL

Tin plated zinc plated or nickel plated steel

CONTACT (stamp)

Brass or phosphor bronze
Gold plated over nickel

Position	A± 0.1	B± 0.1	C± 0.1	D± 0.1	E± 0.1	F± 0.1
15F	30.8	16.3	0.25	2.29	24.99	19.3
26F	39.1	24.7	0.51	2.29	33.32	27.5
44F	53.0	38.4	0.51	2.29	47.04	41.3
62F	69.3	54.8	0.58	2.41	63.50	57.7

ORDER INFORMATION

C0560 -

Contact No. Contact Type Mounting Option Accessories Shell Plating Contact Plating Others
 15 F: Female A: Through Hole A: Non Accessories T: Tin S: Selective Gold B: Black Insulator
 26 N: Nickel G: Gold Flash W: White Insulator
 44 Z: Zinc(Chromatic) A: Gold 5u" L: Blue Insulator
 62 B: Gold 10u" G: Grey Insulator
 78 C: Gold 15u"
 D: Gold 30u"

玄茂科技股份有限公司
HSUAN MAO TECHNOLOGY CO., LTD.

UNIT

MM

SCALE

2 : 1

PART NAME

H.D. D-Sub Solder Type Female

APPD.

CKD.

TOLERANCE

± 0.3

PART NO.

C0560-XXFAAXXX

REV.

A

制表日: 2002/12/04

DRAWING.

kevin

APPROVED

1 2 3 4 5 6 7 8